



## Specifications

# SMART kapp iQ

SMART kapp iQ™ appliance for business for SMART Board® 8000i-G5 series interactive flat panels

## Overview

The SMART kapp iQ™ appliance is designed specifically to work with SMART Board® 8000i-G5 series interactive flat panels to provide a complete all-in-one experience for businesses. This solution caters to small meetings, large group presentations or collaborations between two people.

When you install the SMART kapp iQ appliance in a SMART Board 8000i-G5 interactive flat panel, you get one-touch access to everyday business applications, including the powerful SMART kapp iQ digital whiteboard, a built-in web browser and wireless screen sharing, all without an external computer.

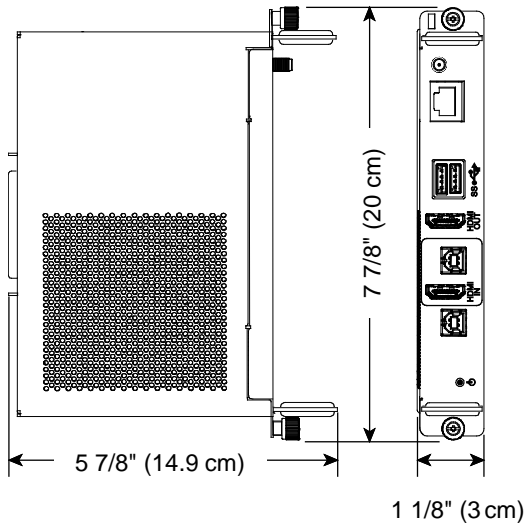


Connect any Bluetooth®-enabled mobile device to the interactive flat panel by scanning the Quick Response (QR) code on the screen. When you first connect your mobile device, you're directed to the App Store or Google Play to download the SMART kapp app. After installing the app, you can connect to your interactive flat panel and share notes with others. You can write notes in black or red ink using the provided pens and erase notes with the pens' erasers or with your palm or fist. Participants can also contribute to the session by writing or drawing directly from their mobile devices.

See [smarttech.com](https://smarttech.com) for more information about SMART kapp iQ.

## Dimensions and weights<sup>1</sup>

### Dimensions



### Weight

1 lb. 8 oz. (670 g)

### Shipping dimensions

12 1/4" × 9 1/4" × 3"  
(31.1 cm × 23.5 cm 7.6 cm)

### Shipping weight

2 lb. 4 oz. (1 kg)

## Hardware

<b>Processor</b>	APQ8074AC with HDCP support for output only
<b>Memory</b>	3 GB LPDDR3 SDRAM, 931.2 MHz
<b>Storage</b>	8 GB eMMC Flash
<b>Wireless technology</b>	Bluetooth 4.0 dual mode (backwards compatible with Bluetooth 2.1 + EDR) 802.11A/B/G/N/AC
<b>Capture options</b>	Establish a Bluetooth wireless connection with a supported mobile device (see below) by scanning the appliance's unique QR code
<b>Connectors</b>	USB 2.0 Type-B <sup>2</sup> HDMI 1.4 in (1920 × 1080) USB 2.0 Type-B HDCP-encrypted HDMI 1.4 out (1920 × 1080) USB 3.0 Type-A (×2) RJ45 Gigabit Ethernet

<sup>1</sup>All dimensions and weights ± 10%.

<sup>2</sup>For service use only.

## Installation requirements

**Appliance** See the *SMART kapp iQ appliance for SMART Board 6000/8000i-G5 series interactive flat panels installation instructions* ([smarttech.com/kb/170947](http://smarttech.com/kb/170947))<sup>3</sup>

### SMART kapp app

Apple devices iOS 8.1 or later operating system software  
50 MB of storage  
iPhone 4S or later  
Third generation iPad or later  
First generation iPad mini or later  
Fifth generation iPod touch or later

Android™ devices Android 4.4.4 (KitKat) or later operating system  
50 MB of storage (internal or SD card)  
1024 MB of RAM  
720p or better screen resolution  
Bluetooth 2.1 + EDR  
3 megapixel or better rear-facing camera (recommended)

### SMART kapp viewer

Mobile Safari for iOS 8.1 or later operating system software  
Chrome™ for Android 39.0.2171.93 or later

Desktop Internet Explorer® 10 or later  
Chrome 39.0.2171.95 or later  
Firefox® 34.0.5 or later  
Safari 8.0 or later

## Storage and operating requirements

**Power requirements** 19V at 5A DC

**Power consumption at 77°F (25°C)** ≤60 W

**Operating temperature** 32–122°F (0–50°C)

**Storage temperature** -40–140°F (-40–60°C)

**Humidity** 85% relative humidity, non-condensing

## Certification and compliance

**Regulatory certification** UL (U.S./Canada), FCC, IC, CE Mark, RCM Mark

### Environmental compliance

European Union REACH, RoHS, WEEE and Packaging

U.S. Packaging and Conflict Minerals

<sup>3</sup>SMART kapp iQ appliance for SMART Board 6000/8000i-G5 series interactive flat panels installation instructions will be updated Fall 2016.

## Purchasing information

### **Order number**

UGK-KAPPIQ-AM30-ENT      SMART kapp IQ for business appliance for SMART Board 8000i-G5 series interactive flat panels

---

### **Warranty**

Two-year limited equipment warranty

---

[smarttech.com/support](http://smarttech.com/support)  
[smarttech.com/contactsupport](http://smarttech.com/contactsupport)

© 2016 SMART Technologies ULC. All rights reserved. SMART kapp, SMART kapp IQ, Pen ID, DVIT, smarttech, the SMART logo and all SMART taglines are trademarks or registered trademarks of SMART Technologies ULC in the U.S. and/or other countries. iPhone, iPad, iPod touch and Safari are trademarks of Apple Inc., registered in the U.S. and other countries. Google Play, Android and Chrome are trademarks of Google Inc. The Bluetooth word mark is owned by the Bluetooth SIG, Inc. and any use of such marks by SMART Technologies ULC is under license. This product and/or use thereof is covered by one or more of the following U.S. patents: [www.smarttech.com/patents](http://www.smarttech.com/patents). Contents are subject to change without notice. 11-2016.